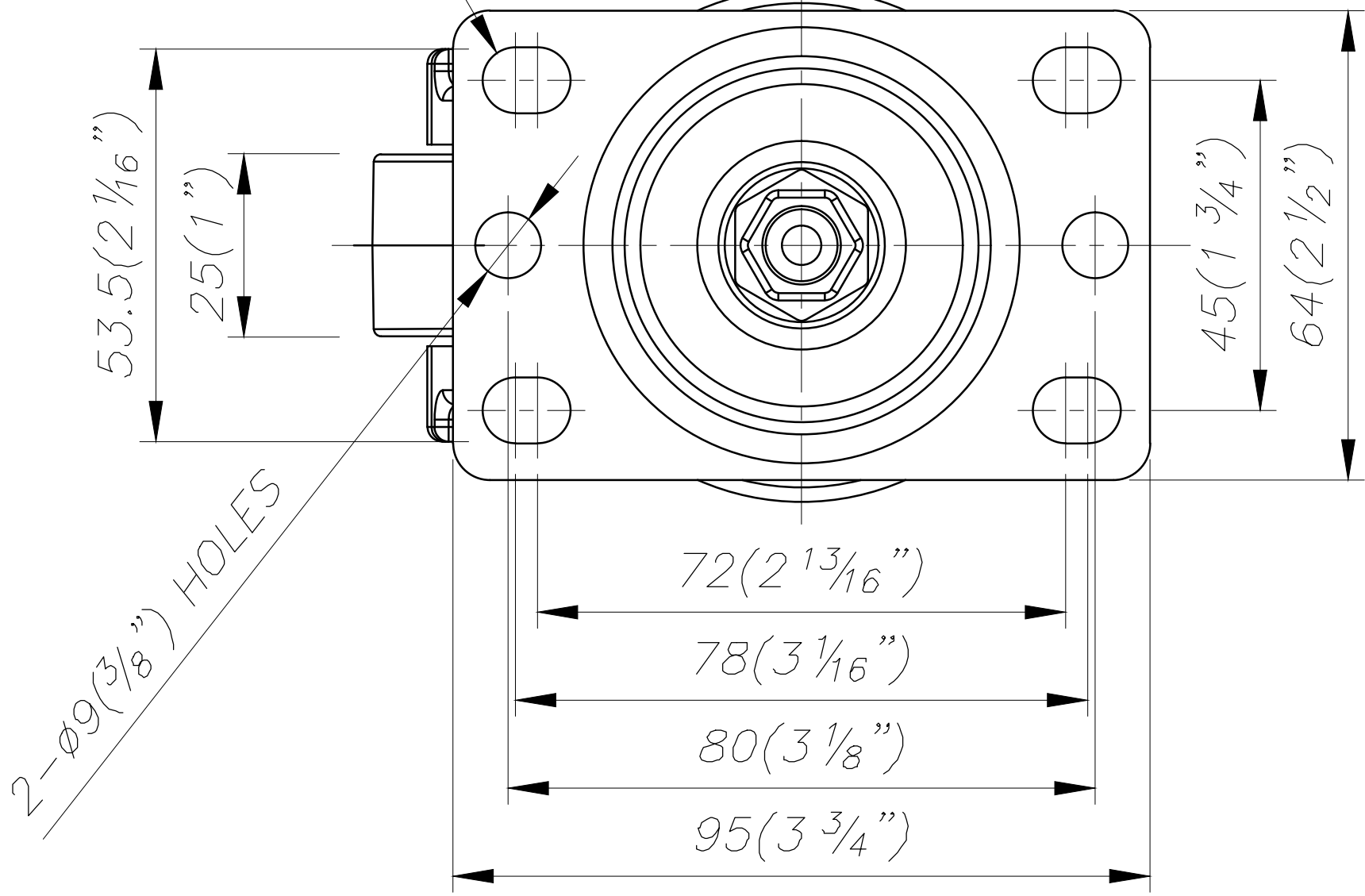


4- $\phi 9(3/8)$ SLOT HOLES



2- $\phi 9(3/8)$ HOLES

